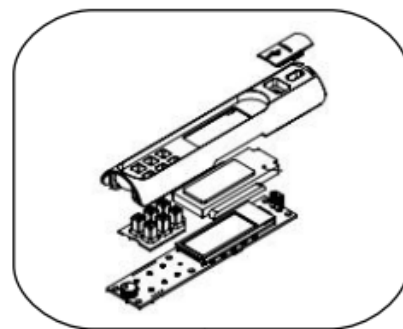
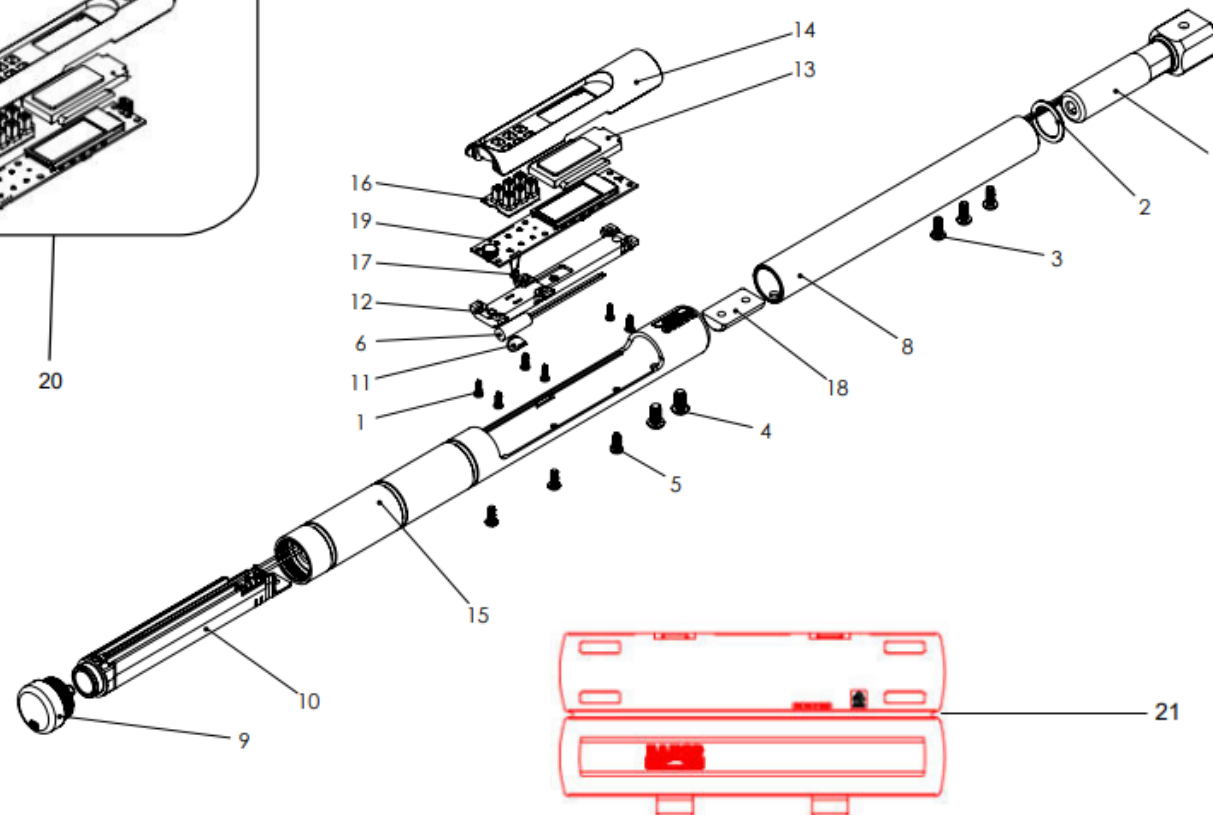


Nº	CODE	DESCRIPTION
1	S101919	SCREWS, TAPPING PHILLIPS
2	TWS102416	O-RING
3	TWS10326C02	SCREW, 10-32X1/2
4	TWS10326C03	SCREW, 1/4-20X1/2
5	TWS10326C05	TORX SCREW
6	S1800008203	VIBRATION MOTOR
7	S1825000710	SENSOR BEAM
8	S1825007903	YOKE SLEEVE
9	S3100005002	END CAP
10	S3100006001	TRAY ASSEMBLY, BATTERY
11	S3100006401	GLUE DOT
12	S3100007202	PCB CARRIER
13	S3100007501	LCD/LED DIFFUSER
14	S3100007701	BEZEL, NON-USB PLASTIC
15	3100050138SP	TUBE
16	3100-215SP	BUTTON SILICON KEY PAD
17	S3100113101	CAPACITOR, CERAMIC
18	S3125007801	INSERT
19	S3200112301	PCB ASSY
20	S31000077-BA	BEZEL ASSEMBLY, NON-USB
21	S3225008702	PLASTIC CASE



20



21



TAW14340

Revision: 00

SNA Europe does not cover the causes over negligence in tool use and/or repair, inadequate care, or abnormal usage conditions. Follow the instructions for proper use, safety, maintenance and servicing given by SNA Europe

28062023